

**600V N-Channel MOSFET**

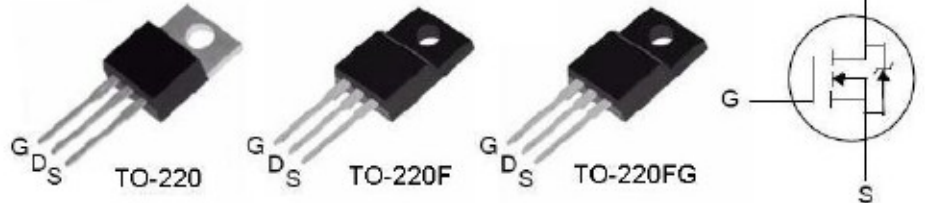
$B_{V_{DSS}}$	$R_{DS(ON)}$ (Max.)	$I_D$
600V	2.0Ω	4.0A

**General Features**

- ✔ Low ON Resistance
- ✔ Low Gate Charge (typical 20nC)
- ✔ Fast Switching
- ✔ 100% Avalanche Tested
- ✔ RoHS Compliant
- ✔ Halogen-free available

**Applications**

- ✔ High Efficiency SMPS
- ✔ Adaptor/Charger
- ✔ Active PFC
- ✔ LCD Panel Power



**Ordering Information**

Part Number	Package	MDSing	RemDS
FTP04N60A	TO-220	FTP04N60A	RoHS
FTP04N60AG	TO-220	FTP04N60AG	Halogen-free
FTA04N60A	TO-220F	FTA04N60A	RoHS
FTA04N60AG	TO-220F	FTA04N60AG	Halogen-free
FTA04N60AZ	TO-220FG	FTA04N60AZ	RoHS
FTA04N60AGZ	TO-220FG	FTA04N60AGZ	Halogen-free

**Absolute Maximum Ratings**

$T_c=25^{\circ}C$  unless otherwise specified

Symbol	Parameter	FTP04N60A	FTA04N60A	Unit
$V_{DSS}$	Drain-to-Source Voltage <sup>[1]</sup>	600		V
$I_D$	Continuous Drain Current	4.0	4.0	A
$I_{D@100^{\circ}C}$	Continuous Drain Current	Figure 3		
$I_{DM}$	Pulsed Drain Current, $V_{GS}@10V$ <sup>[2]</sup>	Figure 6		
$P_D$	Power Dissipation	95	25	W
	Derating Factor above 25°C	0.76	0.2	W/°C
$V_{GS}$	Gate-to-Source Voltage	±30		V
$E_{AS}$	Single Pulse Avalanche Energy $L=30mH, I_D=4.0A$	240		mJ
$dv/dt$	Peak Diode Recovery $dv/dt$ <sup>[3]</sup>	4.5		V/ns
$T_L$	Soldering Temperature Distance of 1.6mm from case for 10 seconds	300		°C
$T_J$ and $T_{STG}$	Operating and Storage Temperature Range	-55 to 150		

\*Drain Current limited by Maximum Junction Temperature.

Caution: Stresses greater than those listed in the "Absolute Maximum Ratings" may cause permanent damage to the device.

### Thermal Characteristics

Symbol	Parameter	FTP04N60A	FTA04N60A	Unit
R <sub>θJC</sub>	Thermal Resistance, Junction-to-Case	1.32	5.0	°C/W
R <sub>θJA</sub>	Thermal Resistance, Junction-to-Ambient	60	60	

### Electrical Characteristics

#### OFF Characteristics

T<sub>c</sub>=25°C unless otherwise specified

Symbol	Parameter	Min.	Typ.	Max.	Unit	Test Conditions
BV <sub>DSS</sub>	Drain-to-Source Breakdown Voltage	600	--	--	V	V <sub>GS</sub> =0V, I <sub>D</sub> =250μA
ΔBV <sub>DSS</sub> /ΔT <sub>J</sub>	Breakdown Voltage Temperature Coefficient	--	0.6	--	V/°C	Reference to 25°C, I <sub>D</sub> =250μA
I <sub>DSS</sub>	Drain-to-Source Leakage Current	--	--	20	μA	V <sub>DS</sub> =600V, V <sub>GS</sub> =0V
		--	--	100		V <sub>DS</sub> =480V, V <sub>GS</sub> =0V, T <sub>c</sub> =125°C
I <sub>GSS</sub>	Gate-to-Source Leakage Current	--	--	100	nA	V <sub>GS</sub> =+30V
		--	--	-100		V <sub>GS</sub> =-30V

#### ON Characteristics

T<sub>c</sub>=25°C unless otherwise specified

Symbol	Parameter	Min.	Typ.	Max.	Unit	Test Conditions
R <sub>DS(ON)</sub>	Static Drain-to-Source On-Resistance	--	1.75	2.0	Ω	V <sub>GS</sub> =10V, I <sub>D</sub> =2.0A <sup>[4]</sup>
V <sub>GS(TH)</sub>	Gate Threshold Voltage	2.0	--	4.0	V	V <sub>DS</sub> = V <sub>GS</sub> , I <sub>D</sub> =250μA
g <sub>fs</sub>	Forward Transconductance	--	3.8	--	S	V <sub>DS</sub> = 15V, I <sub>D</sub> =4.0A <sup>[4]</sup>

#### Dynamic Characteristics

Essentially independent of operating temperature

Symbol	Parameter	Min.	Typ.	Max.	Unit	Test Conditions
C <sub>ISS</sub>	Input Capacitance	--	672	--	pF	V <sub>GS</sub> =0V V <sub>DS</sub> =25V f=1.0MHz Figure 14
C <sub>OSS</sub>	Output Capacitance	--	52.7	--		
C <sub>RSS</sub>	Reverse Transfer Capacitance	--	10.2	--		
Q <sub>G</sub>	Total Gate Charge	--	20	--	nC	V <sub>DD</sub> =300V I <sub>D</sub> =4.0A Figure 15
Q <sub>GS</sub>	Gate-to-Source Charge	--	2.9	--		
Q <sub>GD</sub>	Gate-to-Drain (Miller) Charge	--	8.8	--		

#### Resistive Switching Characteristics

Essentially independent of operating temperature

Symbol	Parameter	Min.	Typ.	Max.	Unit	Test Conditions
t <sub>d(ON)</sub>	Turn-on Delay Time	--	17	--	ns	V <sub>DD</sub> =300V I <sub>D</sub> =4.0A V <sub>GS</sub> =10V R <sub>G</sub> =20Ω
t <sub>rise</sub>	Rise Time	--	48	--		
t <sub>d(OFF)</sub>	Turn-off Delay Time	--	46	--		
t <sub>fall</sub>	Fall Time	--	35	--		

Source-Drain Diode Characteristics

Tc=25°C unless otherwise specified

Symbol	Parameter	Min	Typ.	Max.	Units	Test Conditions
I <sub>SD</sub>	Continuous Source Current (Body Diode)	--	--	4.0	A	Integral P-N diode in MOSFET
I <sub>SM</sub>	Maximum Pulsed Current (Body Diode)	--	--	16	A	
V <sub>SD</sub>	Diode Forward Voltage	--	--	1.5	V	I <sub>s</sub> =4.0A, V <sub>Gs</sub> =0V
t <sub>rr</sub>	Reverse Recovery Time	--	254	--	ns	V <sub>Gs</sub> =0V I <sub>F</sub> =4.0A, di/dt=100A/μs
Q <sub>rr</sub>	Reverse Recovery Charge	--	1300	--	nC	

NOTE:

- [1] T<sub>J</sub>=+25°C to +150°C
- [2] Repetitive rating, pulse width limited by maximum junction temperature.
- [3] I<sub>SD</sub>=4.0A, di/dt≤100A/μs, V<sub>DD</sub>≤B<sub>V</sub>D<sub>SS</sub>, T<sub>J</sub>=+150°C
- [4] Pulse width≤380μs; duty cycle≤2%.

Figure 1. Maximum Effective Thermal Impedance, Junction-to-Case

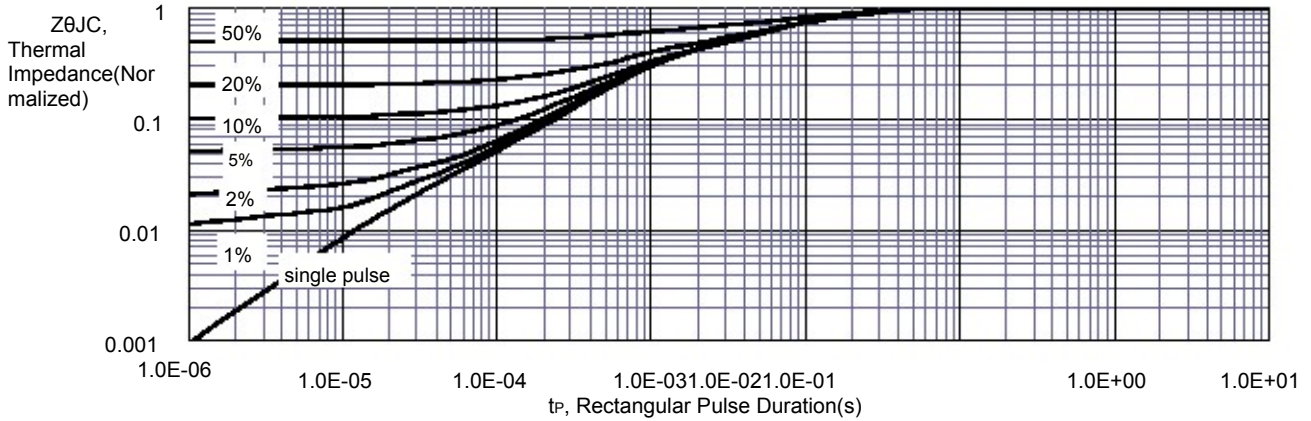


Figure 2. Maximum Power Dissipation vs. Case Temperature

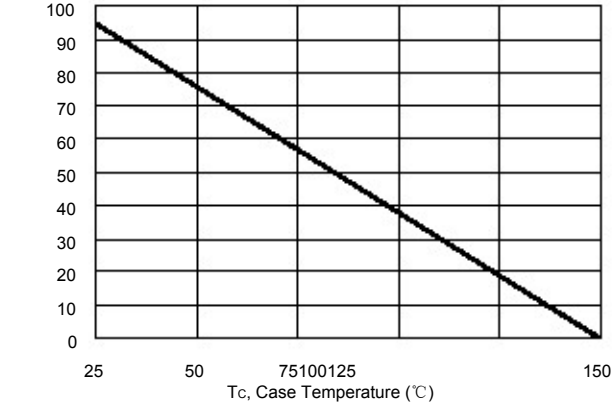


Figure 3. Maximum Continuous Drain Current vs Case Temperature

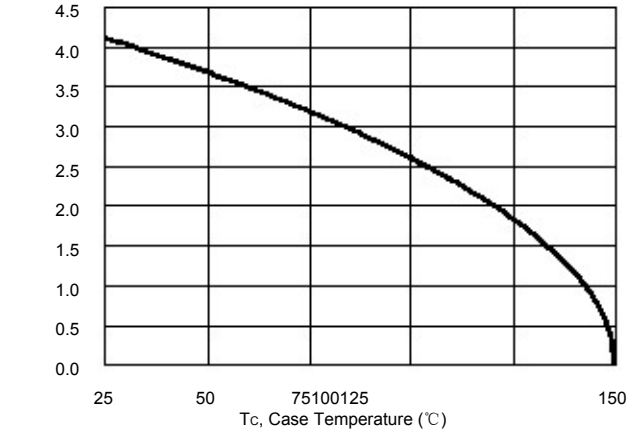


Figure 4. Typical Output Characteristics

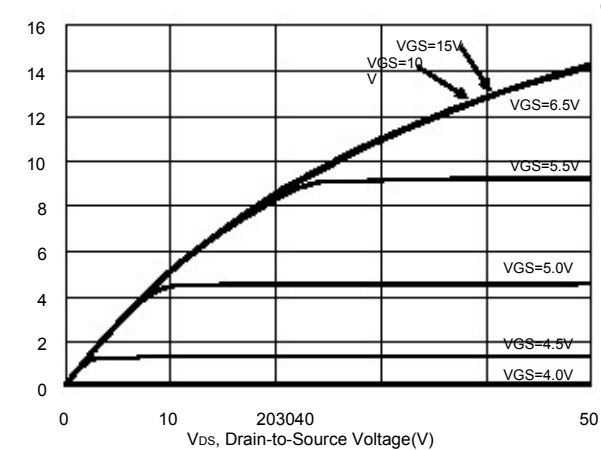


Figure 5. Typical Drain-to-Source ON Resistance vs. Gate Voltage and Drain Current

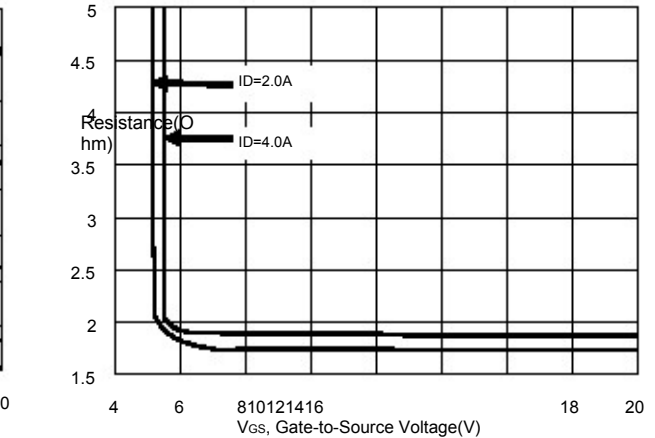


Figure 6. Maximum Peak Current Capability

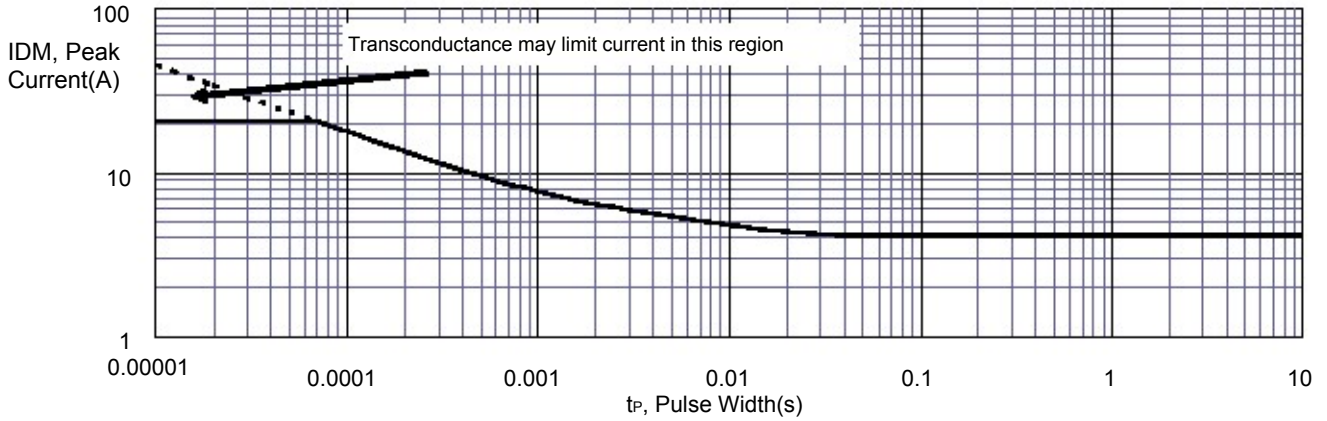


Figure 7. Typical Transfer Characteristics

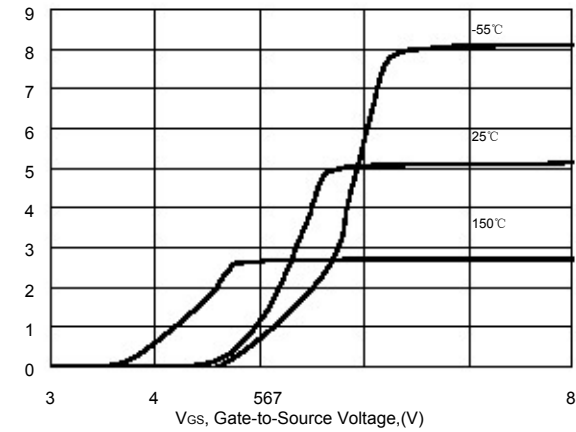


Figure 8. Unclamped Inductive Switching Capability

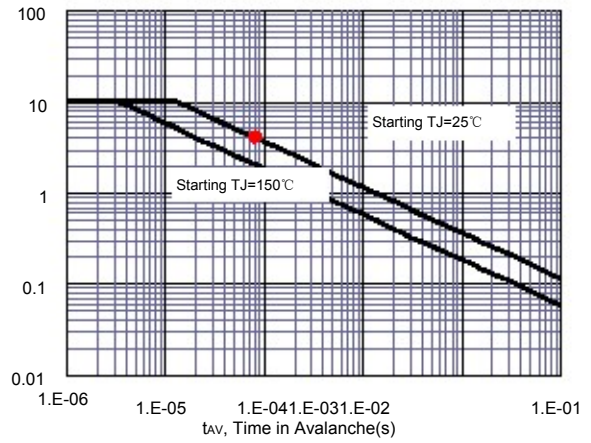


Figure 9. Typical Drain-to-Source ON Resistance

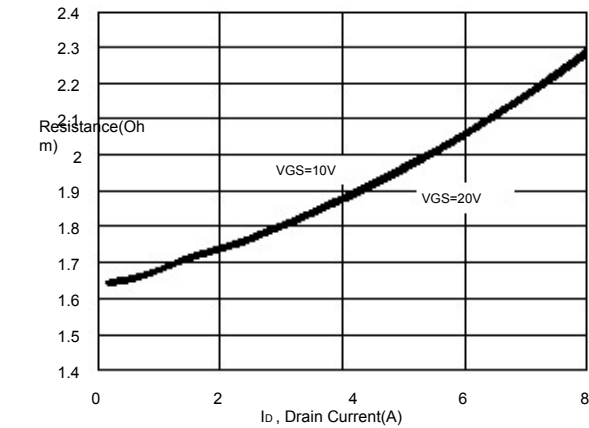


Figure 10. Typical Drain-to-Source On Resistance vs. Junction Temperature

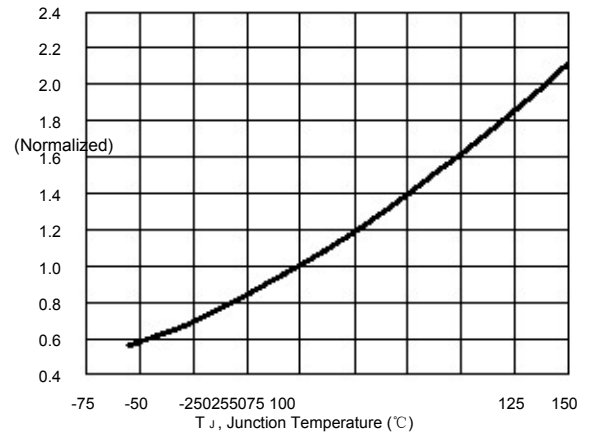


Figure 11. Typical Breakdown Voltage vs. Junction Temperature

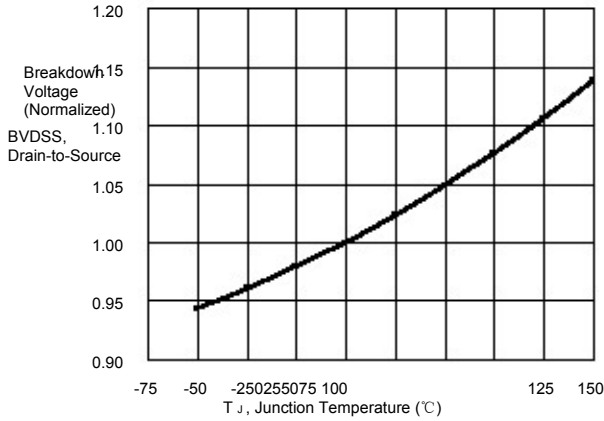


Figure 12. Typical Threshold Voltage vs. Junction Temperature

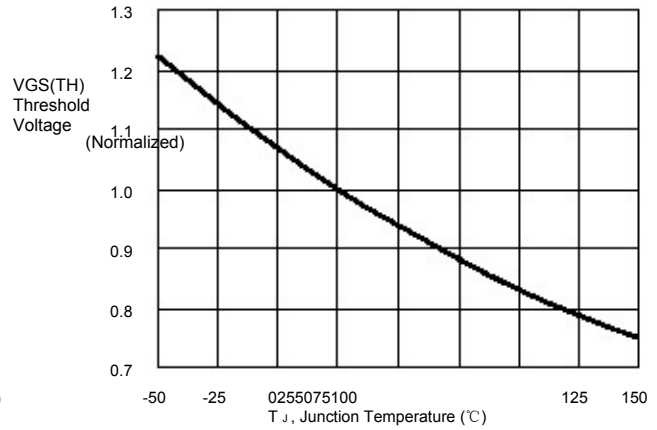


Figure 13. Maximum Forward Safe Operation Area

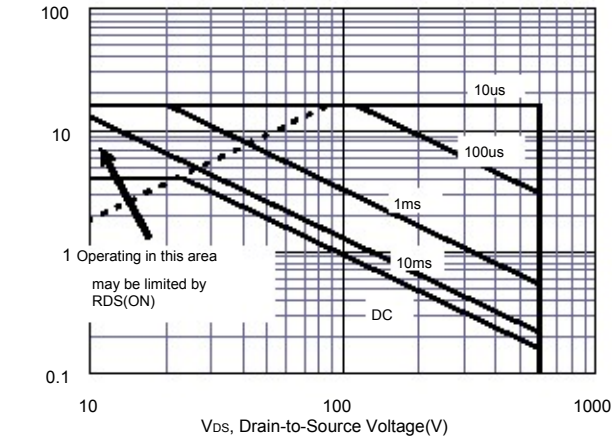


Figure 14. Typical Capacitance vs. Drain-to-Source Voltage

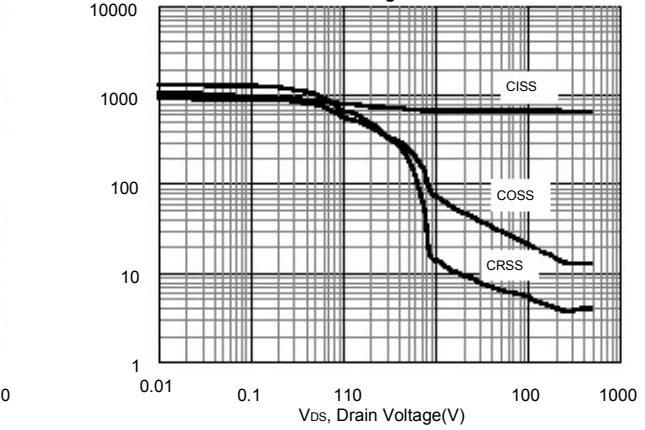


Figure 15. Typical Gate Charge vs. Gate-to-Source Voltage

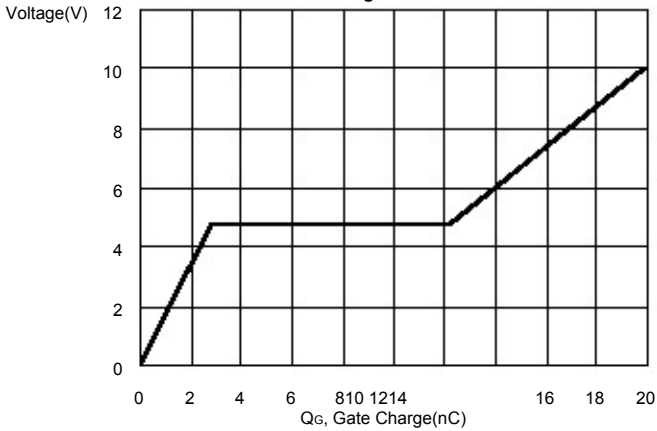
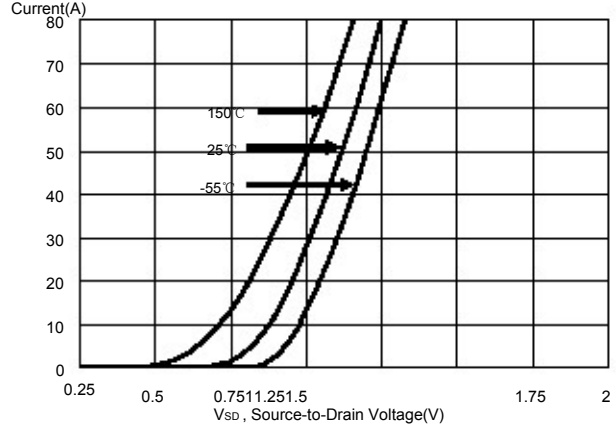


Figure 16. Typical Body Diode Transfer Characteristics



Test Circuit

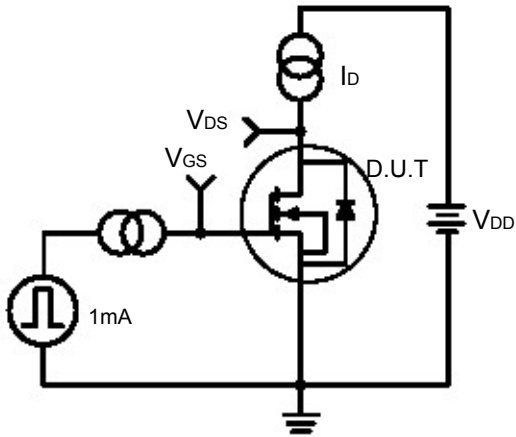


Figure 17. Gate Charge Test Circuit

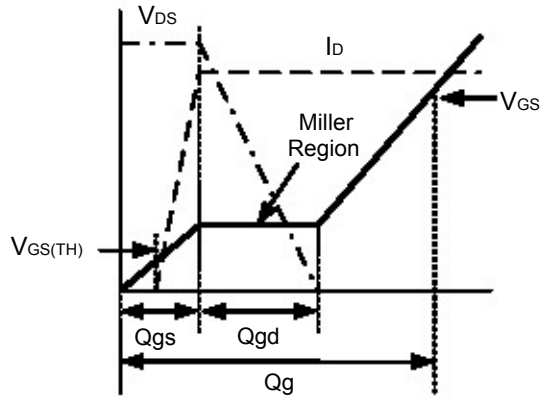


Figure 18. Gate Charge Waveform

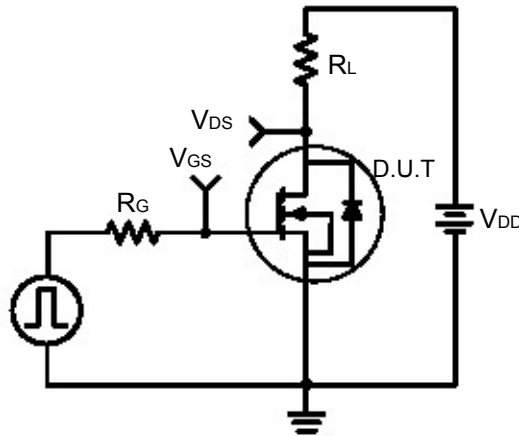


Figure 19. Resistive Switching Test Circuit

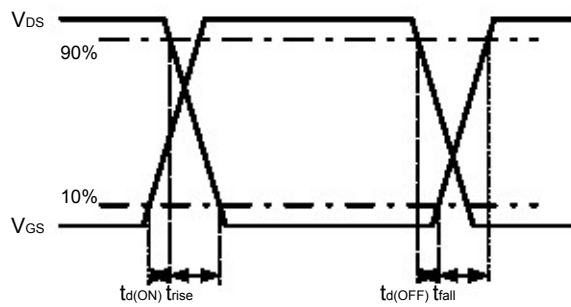


Figure 20. Resistive Switching Waveforms

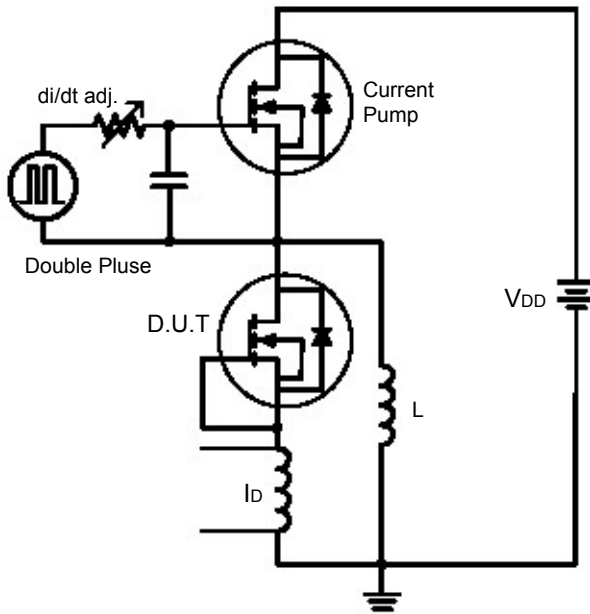


Figure 21. Diode Reverse Recovery Test Circuit

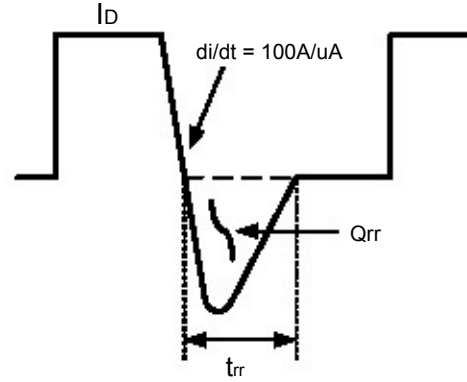


Figure 22. Diode Reverse Recovery Waveform

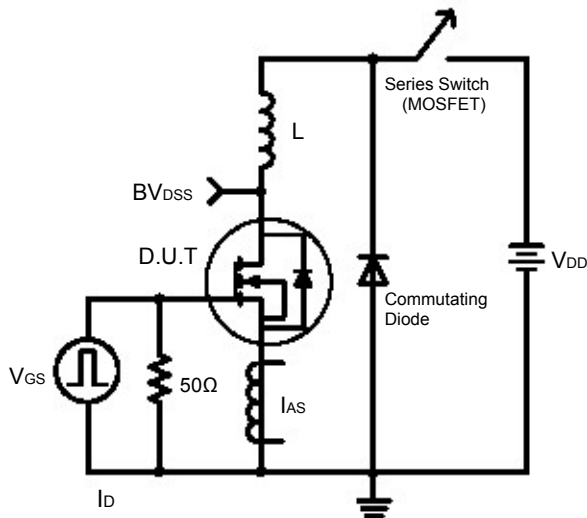


Figure 23. Unclamped Inductive Switching Test Circuit

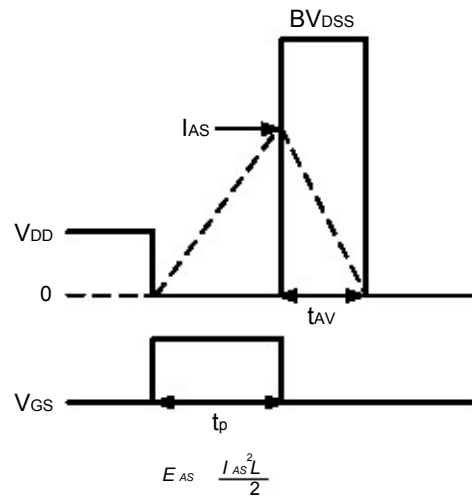
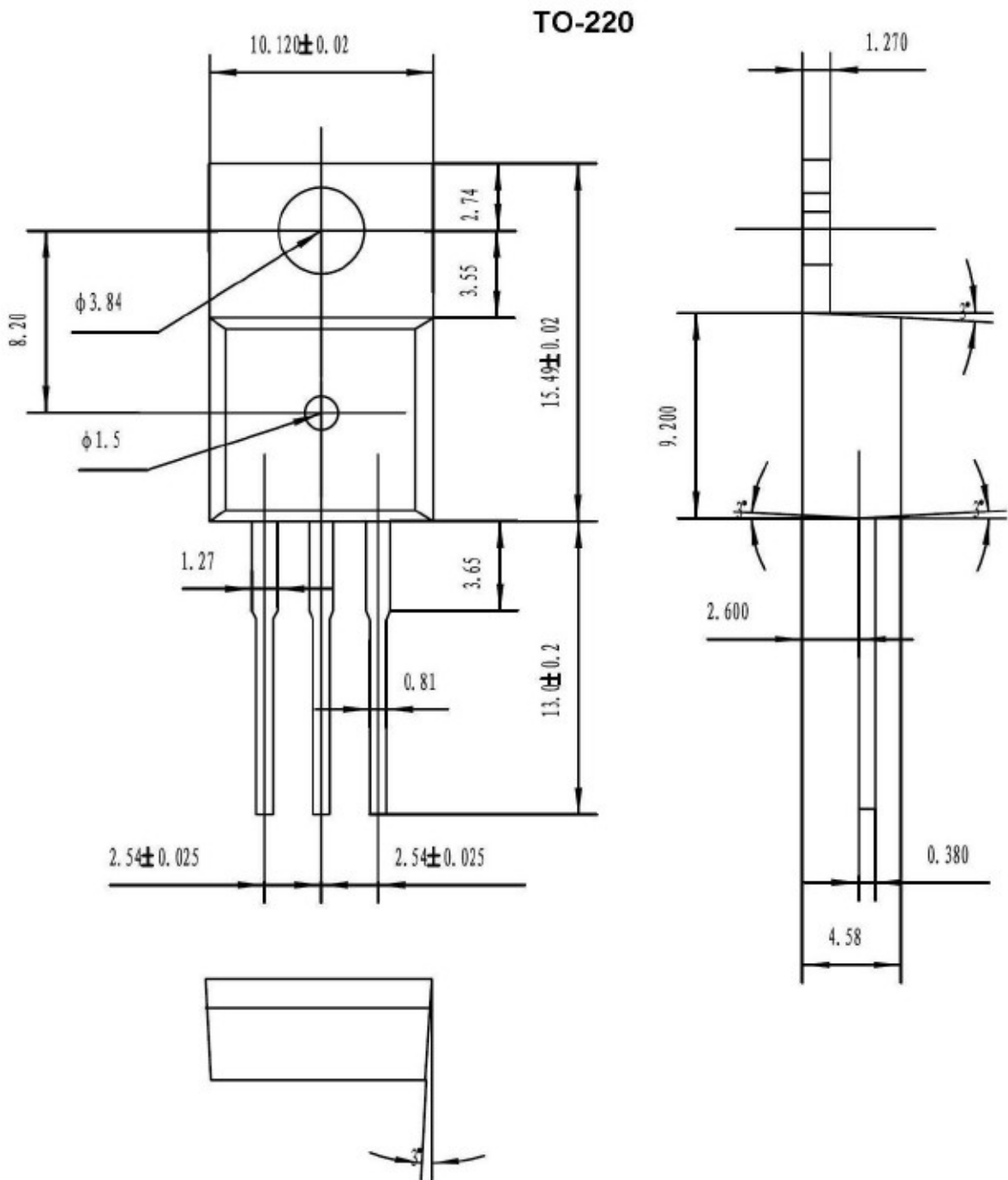
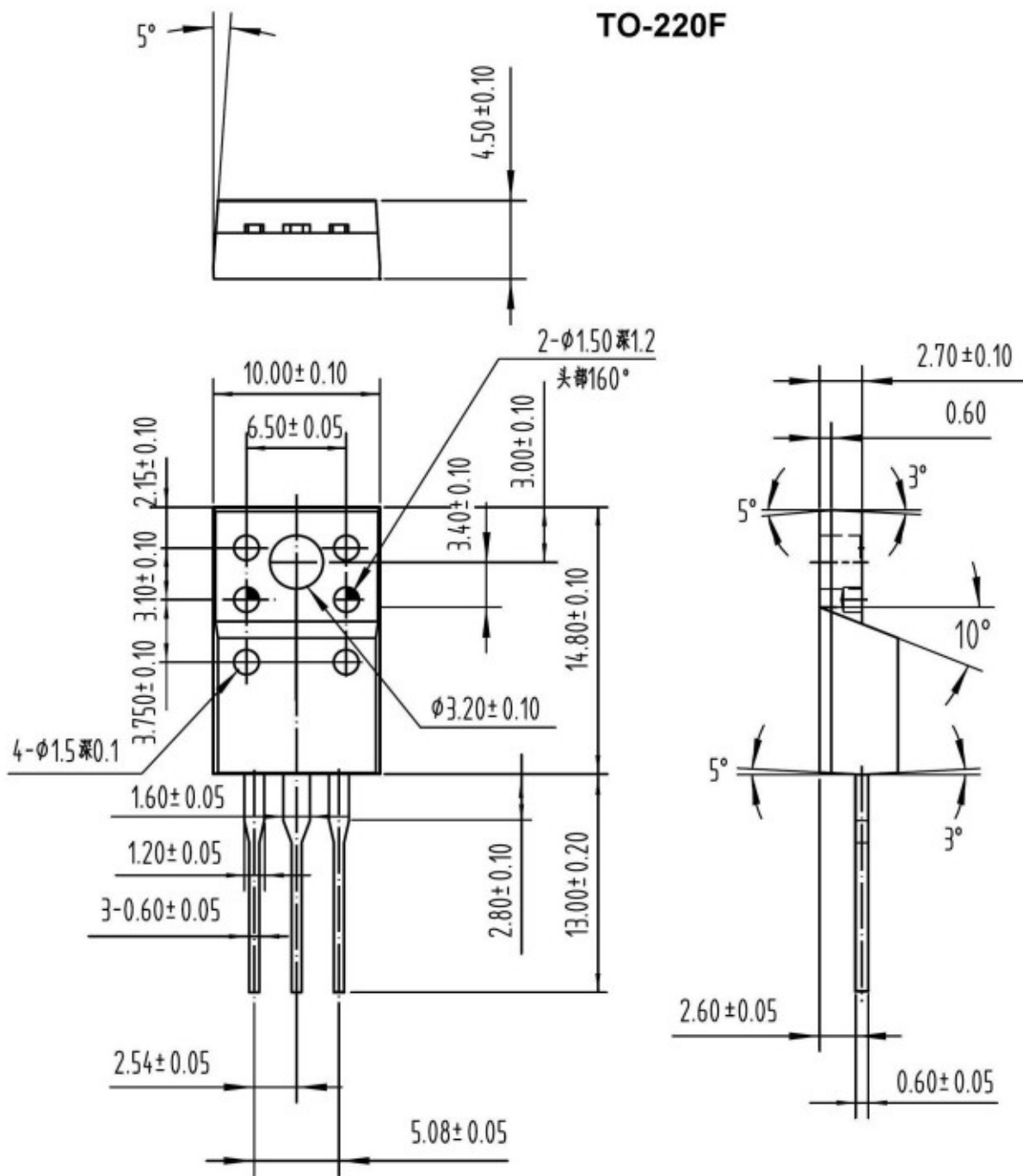


Figure 24. Unclamped Inductive Switching Waveforms



Package Dimensions





昆山东森微电子有限公司  
 手机: 15950933050  
 电话: 0512-50710709  
 传真: 0512-50111209  
<http://www.ksmcu.com>

## Disclaimers

---

DS Microelectronics Co., Ltd. reserves the right to make change without notice in order to improve reliability, function or design and to discontinue any product or service without notice. Customers should obtain the latest relevant information before orders and should verify that such information is current and complete. All products are sold subject to DS Microelectronics Co., Ltd's terms and conditions supplied at the time of order acknowledgement.

DS Microelectronics Co., Ltd. warrants performance of its hardware products to the specifications at the time of sale. Testing, reliability and quality control are used to the extent DS Microelectronics Co., Ltd deems necessary to support this warrantee. Except where agreed upon by contractual agreement, testing of all parameters of each product is not necessary performed.

DS Microelectronics Co., Ltd. does not assume any liability arising from the use of any product or circuit designs described herein. Customers are responsible for their products and applications using DS Microelectronics Co., Ltd's components. To minimize risk, customers must provide adequate design and operating safeguards.

DS Microelectronics Co., Ltd. does not warrant or convey any license either expressed or implied under its patent rights, nor the rights of others. Reproduction of information in DS Microelectronics Co., Ltd's data sheets or data books is permissible only if reproduction is without modification or alteration. Reproduction of this information with any alteration is an unfair and deceptive business practice. DS Microelectronics Co., Ltd is not responsible or liable for such altered documentation.

Resale of DS Microelectronics Co., Ltd's products with statements different from or beyond the parameters stated by DS Microelectronics Co., Ltd. for the product or service voids all express or implied warranties for the associated DS Microelectronics Co., Ltd's product or service and is unfair and deceptive business practice. DS Microelectronics Co., Ltd is not responsible or liable for any such statements.

---

## Life Support Policy:

DS Microelectronics Co., Ltd's products are not authorized for use as critical components in life devices or systems without the expressed written approval of DS Microelectronics Co., Ltd.

As used herein:

1. Life support devices or systems are devices or systems which:
    - a. are intended for surgical implant into the human body,
    - b. support or sustain life,
    - c. whose failure to perform when properly used in accordance with instructions for used provided in the labeling, can be reasonably expected to result in significant injury to the user.
  2. A critical component is any component of a life support device or system whose failure to perform can be reasonably expected to cause the failure of the life support device or system, or to affect its safety or effectiveness.
-